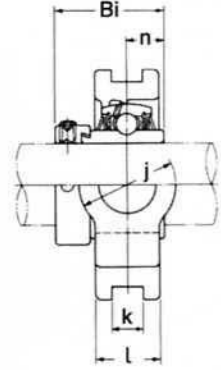
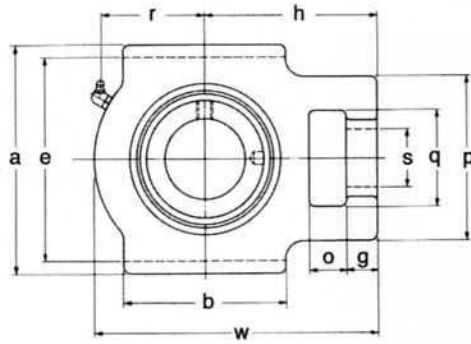


BEARING UNITS



TAKE-UP UNITS HCST 200 Series Normal Duty Eccentric Collar Locking Wide Slot



BEARING UNITS

Unit No.	Shaft Dia.		Dimensions inch / mm														Bearing No.	Housing No.	Weight Lbs kg		
	In.	mm	o	g	p	q	s	b	k	e	a	w	l	j	r	h				Bi	n
HCST201-8 202-10 204 204-12	1/2 5/8 3/4	20	5/8 16	13/32 10	2 51	1-1/4 32	3/4 19	2 51	17/32 13.5	3 76.2	3-1/2 89	3-11/16 94	13/16 21	1-1/4 32	1-19/64 33	2-13/32 61	1.713 43.5	0.669 17	HC 201-8 202-10 204 204-12	ST 204	1.76 0.80
HCST205 205-14 205-15 205-16	7/8 15/16 1	25	5/8 16	13/32 10	2 51	1-1/4 32	3/4 19	2 51	17/32 13.5	3 76.2	3-1/2 89	3-13/16 97	15/16 24	1-1/4 32	1-3/8 35	2-7/16 62	1.744 44.3	0.685 17.4	HC 205 205-14 205-15 205-16	ST 205	1.98 0.90
HCST206 206-17 206-18 206-19 206-20	1-1/16 1-1/8 1-3/8 1-1/4S	30	5/8 16	13/32 10	2-7/32 56	1-29/64 37	7/8 22	2-1/4 57	17/32 13.5	3-1/2 89	4-1/64 102	4-7/16 113	1-3/32 28	1-29/64 37	1-11/16 43	2-3/4 70	1.902 48.3	0.717 18.2	HC 206 206-17 206-18 206-19 206-20	ST 206	3.12 1.42
HCST207 207-20 207-21 207-22 207-23	1-1/4 1-5/16 1-3/8 1-7/16	35	5/8 16	1/2 13	2-33/64 64	1-29/64 37	7/8 22	2-33/64 64	17/32 13.5	3-1/2 89	4-1/64 102	5-5/64 129	1-3/16 30	1-29/64 37	2 51	3-5/64 78	2.012 51.1	0.740 18.8	HC 207 207-20 207-21 207-22 207-23	ST 207	3.74 1.70
HCST208 208-24 208-25	1-1/2 1-9/16	40	3/4 19	5/8 16	3-9/32 83	1-59/64 49	1-3/16 29	3-9/32 83	11/16 17.5	4-1/64 102	4-1/2 114	5-11/16 144	1-19/64 33	1-59/64 49	2-7/32 56	3-15/32 88	2.217 56.3	0.843 21.4	HC 208 208-24 208-25	ST 208	5.50 2.50
HCST209 209-26 209-27 209-28	1-5/8 1-11/16 1-3/4	45	3/4 19	5/8 16	3-9/32 83	1-59/64 49	1-3/16 29	3-9/32 83	11/16 17.5	4-1/64 102	4-19/32 117	5-23/32 145	1-3/8 35	1-59/64 49	2-7/32 57	3-15/32 88	2.217 56.3	0.843 21.4	HC 209 209-26 209-27 209-28	ST 209	5.83 2.65
HCST210 210-30 210-31 210-32	1-7/8 1-15/16 25	50	3/4 19	5/8 16	3-9/32 83	1-59/64 49	1-3/16 29	3-25/64 86	11/16 17.5	4-1/64 102	4-19/32 117	5-15/16 151	1-29/64 37	1-59/64 49	2-21/64 59	3-5/8 92	2.469 62.7	0.969 24.6	HC 210 210-30 210-31 210-32	ST 210	6.16 2.80
HCST211 211-32 211-34 211-35	2 2-1/8 2-3/16	55	31/32 25	3/4 19	4-1/64 102	2-33/64 64	1-3/8 35	3-3/4 95	7/8 22	5-1/8 130	5-3/4 146	6-23/32 171	1-1/2 38	2-33/64 64	2-9/16 65	4-11/64 106	2.811 71.4	1.091 27.7	HC 211 211-32 211-34 211-35	ST 211	9.68 4.40
HCST212 212-36 212-38 212-39	2-1/4 2-3/8 2-7/16	60	31/32 25	3/4 19	4-1/64 102	2-33/64 64	1-3/8 35	4-1/64 102	7/8 22	5-1/8 130	5-3/4 146	7-5/8 194	1-21/32 42	2-33/64 64	2-61/64 75	4-11/16 119	3.059 77.7	1.217 30.9	HC 212 212-36 212-38 212-39	ST 212	11.22 5.10
HCST213 213-40	2-1/2	65	1-1/4 32	13/16 21	4-3/8 111	2-3/4 70	1-5/8 41	4-49/64 121	1-1/16 27	5-15/16 151	6-9/16 167	8-13/16 224	1-3/4 44	2-3/4 70	3-7/16 87	5-25/64 137	3.374 85.7	1.343 34.1	HC 213 213-40	ST 213	15.73 7.15
HCST214 214-43 214-44	2-11/16 2-3/4	70	1-1/4 32	13/16 21	4-3/8 111	2-3/4 70	1-5/8 41	4-49/64 121	1-1/16 27	5-15/16 151	6-9/16 167	8-13/16 224	1-13/16 46	2-3/4 70	3-7/16 87	5-25/64 137	3.374 85.7	1.343 34.1	HC 214 214-43 214-44	ST 214	16.06 7.30
HCST215 215-47 215-48	2-15/16 3	75	1-1/4 32	13/16 21	4-3/8 111	2-3/4 70	1-5/8 41	4-49/64 121	1-1/16 27	5-15/16 151	6-9/16 167	8-1/8 232	1-7/8 48	2-3/4 70	3-5/8 92	5-1/2 140	3.626 92.1	1.469 37.3	HC 215 215-47 215-48	ST 215	17.82 8.10