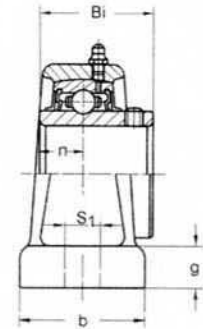
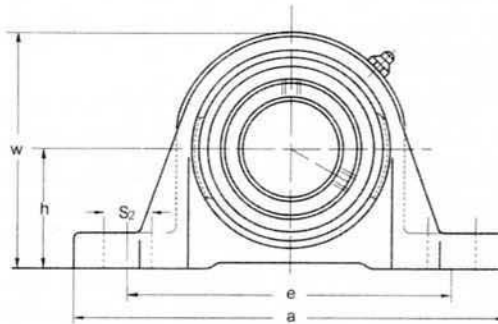
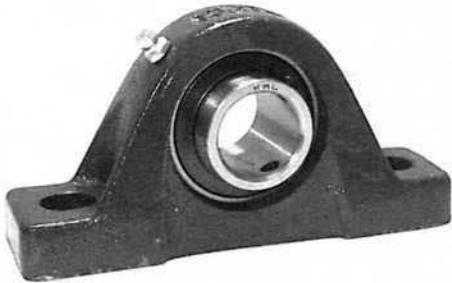


# BEARING UNITS



**PILLOW BLOCKS**  
**UCPE 200 Series**  
 Normal Duty  
 Set Screw Locking  
 Solid Base



**BEARING UNITS**

Unit No.	Shaft Dia.		Dimensions inch / mm										Bolt Size	Bearing No.	Housing No.	Weight Lbs / kg	
	In.	mm	h	a	e	b	S1	S2	g	w	Bi	n					
UCPE 201-8	1/2														UC 201-8		
202-10	5/8	20	1-5/16	5	3-3/4	1-1/2	1/2	5/8	19/32	2-9/16	1.221	0.500	3/8	202-10	PE204	1.7	
204			33.3	127	95	38	13	16	15	65	31	12.7	M10	204			
204-12	3/4													204-12			
UCPE 205		25												UC 205			
205-14	7/8		1-7/16	5-1/2	4-1/8	1-1/2	1/2	5/8	5/8	2-3/4	1.339	0.563	3/8	205-14	PE205	2.2	
205-15	15/16		36.6	140	105	38	13	16	16	70	34	14.3	M10	205-15			
205-16	1													205-16			
UCPE 206		30												UC 206			
206-17	1-1/16		1-11/16	6-1/2	4-49/64	1-7/8	21/32	13/16	23/32	3-9/32	1.500	0.626	1/2	206-17	PE206	3.5	
206-18	1-1/8		42.9	165	121	48	17	21	18	83	38.1	15.9	M14	206-18			
206-19	1-3/16													206-19			
206-20	1-1/4S													206-20			
UCPE 207		35												UC 207			
207-20	1-1/4		1-7/8	6-9/16	5	1-7/8	21/32	13/16	3/4	3-11/16	1.689	0.689	1/2	207-20	PE207	4.6	
207-21	1-5/16		47.6	167	127	48	17	21	19	94	42.9	17.5	M14	207-21			
207-22	1-3/8													207-22			
207-23	1-7/16													207-23			
UCPE 208		40												UC 208			
208-24	1-1/2		1-15/16	7-1/4	5-25/64	2-1/8	21/32	31/32	3/4	3-15/16	1.937	0.748	1/2	208-24	PE208	5.7	
208-25	1-9/16		49.2	184	137	54	17	25	19	100	49.2	19.0	M14	208-25			
UCPE 209		45												UC 209			
209-26	1-5/8		2-1/8	7-15/32	5-3/4	2-1/8	21/32	31/32	25/32	4-1/4	1.937	0.748	1/2	209-26	PE209	6.6	
209-27	1-11/16		54.0	190	146	54	17	25	20	108	49.2	19.0	M14	209-27			
209-28	1-3/4													209-28			
UCPE 210		50												UC 210			
210-30	1-7/8		2-1/4	8-1/8	6-1/4	2-3/8	25/32	31/32	7/8	4-1/2	2.032	0.748	5/8	210-30	PE210	7.9	
210-31	1-15/16		57.2	206	159	60	20	25	22	114	51.6	19.0	M16	210-31			
210-32	2S													210-32			
UCPE 211		55												UC 211			
211-32	2		2-1/2	8-5/8	6-23/32	2-3/8	25/32	31/32	7/8	4-31/32	2.189	0.874	5/8	211-32	PE211	9.7	
211-34	2-1/8		63.5	219	171	60	20	25	22	126	55.6	22.2	M16	211-34			
211-35	2-3/16													211-35			
UCPE 212		60												UC 212			
212-36	2-1/4		2-3/4	9-1/2	7-1/4	2-3/4	25/32	31/32	31/32	5-7/16	2.563	1.000	5/8	212-36	PE212	13.6	
212-38	2-3/8		69.8	241	184	70	20	25	25	138	65.1	25.4	M16	212-38			
212-39	2-7/16													212-39			
UCPE 213		65												UC 213			
213-40	2-1/2		3	10-7/16	8	2-3/4	31/32	1-3/16	1-1/16	6-29/64	2.563	1.000	3/4	213-40	PE213	15.4	
			76.2	265	203	70	25	29	27	150	65.1	25.4	M20				
UCPE 214		70												UC 214			
214-43	2-11/16		3-1/8	10-15/32	8-9/32	2-27/32	31/32	1-1/4	1-1/16	6-3/16	2.937	1.189	3/4	214-43	PE214	16.7	
214-44	2-3/4		79.4	266	210	72	25	31	27	156	74.6	30.2	M20	214-44			
UCPE 215		75												UC 215			
215-47	2-15/16		3-1/4	10-13/16	8-17/32	2-29/32	31/32	1-1/4	1-3/32	6-13/32	3.063	1.311	3/4	215-47	PE215	18.7	
215-48	3		82.6	275	217	74	25	31	28	163	77.8	33.3	M20	215-48			