

# BEARING UNITS

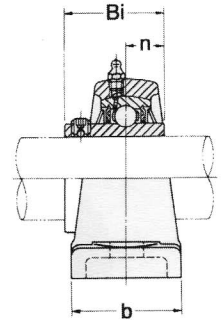
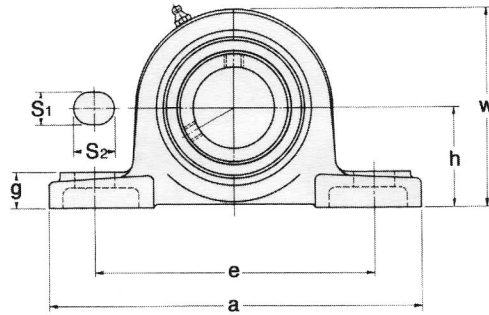


## PILLOW BLOCKS - LOW BASE

### UCAK 200 Series

Normal Duty

Set Screw Locking



Unit No.	Shaft Dia.		Dimensions inch / mm										Bolt Size	Bearing No.	Housing No.	Weight Lbs kg
	In.	mm	h	a	e	b	S1	S2	g	w	Bi	n				
UCAK 201-8	1/2													UC 201-8		
202-10	5/8	20	1-1/4	5	3-25/32	1-1/4	1/2	5/8	9/16	2-15/32	1-1/4	1/2	3/8	202-10	AK204	1.54 0.7
204			31.8	127	96	31	13	16	14	63	31	12.7	M10	204		
204-12	3/4													204-12		
UCAK 205		25												UC 205		
205-14	7/8		1-5/16	5-1/2	4-1/8	1-1/2	1/2	3/4	19/32	2-5/8	1-11/32	9/16	3/8	205-14	AK205	1.98 0.9
205-15	15/16		33.3	140	105	38	13	19	15	66.5	34	14.3	M10	205-15		
205-16	1													205-16		
UCAK 206		30												UC 206		
206-17	1-1/16		1-7/16	6-5/16	4-49/64	1-3/4	9/16	3/4	5/8	3-1/8	1-1/2	5/8	1/2	206-17	AK206	3.08 1.4
206-18	1-1/8		36.7	160	121	44	14	19	16	79	38.1	15.9	M14	206-18		
206-19	1-3/16													206-19		
206-20	1-1/4S													206-20		
UCAK 207		35												UC 207		
207-20	1-1/4		1-13/16	6-9/16	5	1-7/8	19/32	3/4	21/32	3-9/16	1-11/16	11/16	1/2	207-20	AK207	3.74 1.7
207-21	1-5/16		46	167	127	48	15	19	17	91	42.9	17.5	M14	207-21		
207-22	1-3/8													207-22		
207-23	1-7/16													207-23		
UCAK 208		40												UC 208		
208-24	1-1/2		1-15/16	7-3/32	5-11/32	2-1/16	19/32	13/16	23/32	3-55/64	1-15/16	3/4	1/2	208-24	AK208	4.40 2.0
208-25	1-9/16		49.2	180	136	52	15	21	18	98	49.2	19.0	M14	208-25		
UCAK 209		45												UC 209		
209-26	1-5/8		2-1/16	7-7/16	5-3/4	2-1/8	19/32	13/16	25/32	4-1/8	1-15/16	3/4	1/2	209-26	AK209	6.16 2.8
209-27	1-11/16		52.4	189	146	54	15	21	20	105	49.2	19.0	M14	209-27		
209-28	1-3/4													209-28		
UCAK 210		50												UC 210		
210-30	1-7/8		2-3/16	8-1/32	6-1/4	2-1/4	3/4	7/8	13/16	4-25/64	2-1/32	3/4	5/8	210-30	AK210	7.04 3.2
210-31	1-15/16		55.6	204	159	57	19	22	21	111.5	51.6	19.0	M16	210-31		
210-32	2S													210-32		
UCAK 211		55												UC 211		
211-32	2		2-7/16	8-17/32	6-25/32	2-3/8	3/4	7/8	7/8	4-27/32	2-3/16	7/8	5/8	211-32	AK211	10.78 4.9
211-34	2-1/8		61.9	217	172	60	19	22	22	123	55.6	22.2	M16	211-34		
211-35	2-3/16													211-35		
UCAK 212		60												UC 212		
212-36	2-1/4		2-11/16	9-3/8	7-5/16	2-19/32	3/4	31/32	15/16	5-11/32	2-9/16	1	5/8	212-36	AK212	11.66 5.3
212-38	2-3/8		68.3	238	186	66	19	25	24	136	65.1	25.4	M16	212-38		
212-39	2-7/16													212-39		

BEARING UNITS