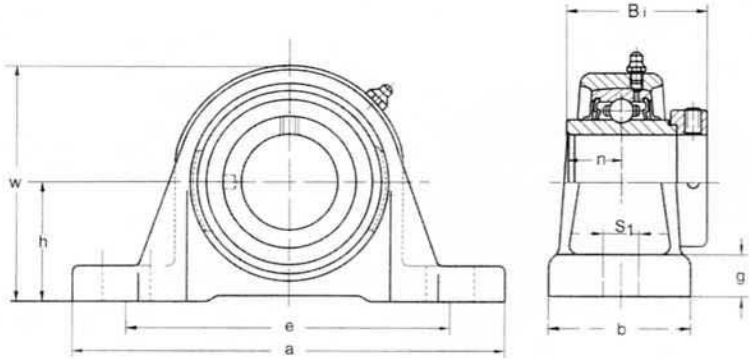
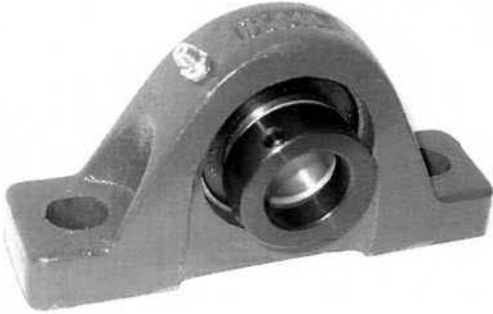


BEARING UNITS



PILLOW BLOCKS HCPE 200 Series Normal Duty Eccentric Collar Locking Solid Base



BEARING
UNITS

Unit No.	Shaft Dia.		Dimensions inch / mm										Bolt Size	Bearing No.	Housing No.	Weight Lbs kg		
	In.	mm	h	a	e	b	S1	S2	g	w	Bi	n						
HCPE 201-8	1/2																	
202-10	5/8																	
204		20	1-5/16	5	3-3/4	1-1/2	1/2	5/8	19/32	2-9/16	1.713	0.669	3/8	HC 201-8				
204-12	3/4		33.3	127	95	38	13	16	15	65	43.5	17	M10	202-10	PE204	1.87	0.85	
HCPE 205		25												HC 205				
205-14	7/8		1-7/16	5-1/2	4-1/8	1-1/2	1/2	5/8	5/8	2-3/4	1.744	0.685	3/8	205-14	PE205	2.33	1.06	
205-15	15/16		36.6	140	105	38	13	16	16	70	44.3	17.4	M10	205-15				
205-16	1													205-16				
HCPE 206		30												HC 206				
206-17	1-1/16													206-17	PE206	3.74	1.7	
206-18	1-1/8		1-11/16	6-1/2	4-49/64	1-7/8	21/32	13/16	23/32	3-9/32	1.902	0.717	1/2	206-18				
206-19	1-3/16		42.9	165	121	48	17	21	18	83	48.3	18.2	M14	206-19				
206-20	1-1/4													206-20				
HCPE 207		35												HC 207				
207-20	1-1/4		1-7/8	6-9/16	5	1-7/8	21/32	13/16	3/4	3-11/16	2.012	0.740	1/2	207-20	PE207	4.95	2.25	
207-21	1-5/16		47.6	167	127	48	17	21	19	94	51.1	18.8	M14	207-21				
207-22	1-3/8													207-22				
207-23	1-7/16													207-23				
HCPE 208		40												HC 208				
208-24	1-1/2		1-15/16	7-1/4	5-25/64	2-1/8	21/32	31/32	3/4	3-15/16	2.217	0.843	1/2	208-24	PE208	6.16	2.8	
208-25	1-9/16		49.2	184	137	54	17	25	19	100	56.3	21.4	M14	208-25				
HCPE 209		45												HC 209				
209-26	1-5/8		2-1/8	7-15/32	5-3/4	2-1/8	21/32	31/32	25/32	4-1/4	2.217	0.843	1/2	209-26	PE209	6.93	3.15	
209-27	1-11/16		54	190	146	54	17	25	20	108	56.3	21.4	M14	209-27				
209-28	1-3/4													209-28				
HCPE 210		50												HC 210				
210-30	1-7/8		2-1/4	8-1/8	6-1/4	2-3/8	25/32	31/32	7/8	4-1/2	2.469	0.969	5/8	210-30	PE210	8.36	3.8	
210-31	1-15/16		57.2	206	159	60	20	25	22	114	62.7	24.6	M16	210-31				
210-32	25													210-32				
HCPE 211		55												HC 211				
211-32	2		2-1/2	8-5/8	6-23/32	2-3/8	25/32	31/32	7/8	4-31/32	2.811	1.091	5/8	211-32	PE211	10.34	4.7	
211-34	2-1/8		63.5	219	171	60	20	25	22	126	71.4	27.7	M16	211-34				
211-35	2-3/16													211-35				
HCPE 212		60												HC 212				
212-36	2-1/4		2-3/4	9-1/2	7-1/4	2-3/4	25/32	31/32	31/32	5-7/16	3.059	1.217	5/8	212-36	PE212	14.52	6.6	
212-38	2-3/8		69.8	241	184	70	20	25	25	138	77.7	30.9	M16	212-38				
212-39	2-7/16													212-39				
HCPE 213		65												HC 213				
213-40	2-1/2		3	10-7/16	8	2-3/4	31/32	1-3/16	1-1/16	5-29/64	3.374	1.343	3/4	213-40	PE213	16.50	7.5	
			76.2	265	203	70	25	29	27	150	85.7	34.1	M20					
HCPE 214		70												HC 214				
214-43	2-11/16		3-1/8	10-15/32	8-9/32	2-27/32	31/32	1-1/4	1-1/16	6-3/16	3.374	1.343	3/4	214-43	PE214	17.60	8.0	
214-44	2-3/4		79.4	266	210	72	25	31	27	156	85.7	34.1	M20	214-44				
HCPE 215		75												HC 215				
215-47	2-15/16		3-1/4	10-13/16	8-17/32	2-29/32	31/32	1-1/4	1-3/32	6-13/32	3.626	1.469	3/4	215-47	PE215	19.80	9.0	
215-48	3		82.6	275	217	74	25	31	28	163	92.1	37.3	M20	215-48				