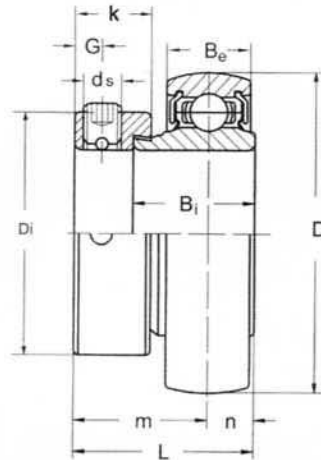


WIDE INNER RING BEARINGS



SA 200 Series

Light Duty
Eccentric Collar Locking Type
Available Relubricatable
Add Suffix "G"



BEARING
UNITS

Unit No.	Shaft Dia.		Dimensions inch / mm										Basic load Ratings lbf / N		Weight	
	In.	mm	D	L	Bi	Be	n	m	Di	K	G	ds	dynamic C	static Co	kg	Lbs
SA 201	1/2	12														
201-8		15	1-9/16	1-1/8	3/4	15/32	0.236	57/64	1-3/16	17/32	0.189	1/4-28UNF	2160	990	0.12	0.26
202		15	40	28.6	19	12	6	22.6	29.0	13.5	4.8	M6x1.0	9600	4400	0.11	0.24
202-10		5/8	17												0.11	0.24
203	5/8	17												0.10	0.22	
SA 204	3/4	20														
204-12		20	1-27/32	1-1/4	27/32	9/16	9/32	15/16	1-19/64	17/32	0.189	1/4-28UNF	2900	1460	0.17	0.37
	3/4	20	47	31	21.5	14	7	24	33.0	13.5	4.8	M6x1.0	12890	6490	0.16	0.35
SA 205	7/8	25														
205-14		15/16	2-1/16	1-1/4	27/32	19/32	0.295	59/64	1-1/2	17/32	0.189	1/4-28UNF	3150	1700	0.22	0.48
205-15		1	52	31	21.5	15	7.5	23.5	38.0	13.5	4.8	M6x1.0	14000	7560	0.21	0.46
205-16		1	25												0.19	0.42
SA 206	1-1/16	30														
206-17		1-1/8	2-7/16	1-13/32	15/16	5/8	5/16	1-3/32	1-3/4	5/8	0.236	1/4-28UNF	4390	2510	0.31	0.68
206-18		1-3/16	62	35.7	23.8	16	8	27.7	44.5	15.9	6.0	M6x1.0	19510	11160	0.33	0.73
206-19		1-1/4	30												0.30	0.66
206-20		1-1/4	30												0.28	0.62
SA 207	1-1/4	35														
207-20		1-5/16	2-27/32	1-17/32	1	21/32	0.335	1-13/64	2-3/16	11/16	0.268	5/16-24UNF	5770	3450	0.49	1.08
207-21		1-3/8	72	38.9	25.4	17	8.5	30.4	55.5	17.5	6.8	M8x1.0	25650	15340	0.52	1.14
207-22		1-7/16	35												0.50	1.10
207-23		1-7/16	35												0.47	1.03
SA 208	1-1/2	40														
208-24		1-9/16	3-5/32	1-23/32	1-3/16	23/32	11/32	1-23/64	2-3/8	23/32	0.268	5/16-24UNF	6500	3850	0.66	1.45
208-25		1-9/16	80	43.7	30.2	18	9	34.7	60.0	18.3	6.8	M8x1.0	28890	17110	0.64	1.41
	1-9/16	40												0.61	1.34	
SA 209	1-5/8	45														
209-26		1-11/16	3-11/32	1-23/32	1-3/16	3/4	3/8	1-11/32	2-1/2	23/32	0.268	5/16-24UNF	7350	4100	0.65	1.43
209-27		1-3/4	85	43.7	30.2	19	9.5	34.2	63.5	18.3	6.8	M8x1.0	32670	18220	0.76	1.67
209-28		1-3/4	45												0.73	1.61
SA 210	1-7/8	50														
210-30		1-15/16	3-35/64	1-23/32	1-3/16	25/32	13/32	1-5/16	2-3/4	23/32	0.268	3/8-24UNF	7900	4690	0.70	1.54
210-31		25	90	43.7	30.2	20	10	33.7	69.8	18.3	6.8	M10x1.25	35120	20850	0.79	1.74
210-32	25	50												0.74	1.63	
SA 211	2	55														
211-32		2-1/8	3-15/16	1-29/32	1-9/32	15/16	15/32	1-7/16	3	13/16	5/16	3/8-24UNF	9750	5850	0.77	1.69
211-34		2-3/16	100	48.4	32.5	24	12	36.4	76.2	20.6	8	M10x1.25	43340	26000	0.96	2.11
211-35		2-3/16	55												0.87	1.91
	2-3/16	55												0.81	1.78	