

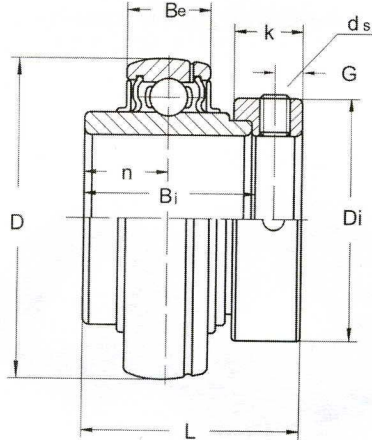
WIDE INNER RING BEARINGS



HC 200 Series

Normal Duty

Eccentric Collar Locking



BEARING
UNITS

Unit No.	Shaft Dia.		Dimensions inch / mm								Basic load Ratings lbf / N		Weight		
	In.	mm	D	L	Bi	Be	n	Di	K	G	ds	dynamic C	static Co	kg	Lbs
HC 201-8	1/2	20	1-27/32	1-23/32	1-11/32	21/32	21/32	1-5/16	17/32	0.197	1/4-28UNF	2900	1460	0.23	0.51
202-10	5/8		47	43.5	34	17	17	33.3	13.5	5	M6x1.0	12890	6490	0.28	0.62
204	3/4													0.24	0.53
204-12															0.21
HC 205		25												0.27	0.59
205-14	7/8	25	2-1/16	1-3/4	1-3/8	21/32	11/16	1-1/2	17/32	0.197	1/4-28UNF	3150	1700	0.26	0.57
205-15	15/16		52	44.3	34.8	17	17.4	38.1	13.5	5	M6x1.0	14000	7560	0.25	0.55
205-16	1													0.23	0.51
HC 206			30												0.45
206-17	1-1/16	30	2-7/16	1-29/32	1-7/16	3/4	23/32	1-3/4	5/8	0.236	5/16-24UNF	4390	2510	0.43	0.95
206-18	1-1/8		62	48.3	36.4	19	18.2	44.5	15.9	6	M8x1.0	19510	11160	0.38	0.84
206-19	1-3/16													0.36	0.79
206-20	1-1/4S													0.40	0.88
HC 207			35												0.60
207-20	1-1/4	35	2-27/32	2-1/64	1-31/64	25/32	3/4	2-3/16	11/16	0.256	5/16-24UNF	5770	3450	0.66	1.45
207-21	1-5/16		72	51.1	37.6	20	18.8	55.6	17.5	6.5	M8x1.0	25648	15340	0.64	1.41
207-22	1-3/8													0.61	1.34
207-23	1-7/16													0.58	1.28
HC 208			40												0.79
208-24	1-1/2	40	3-5/32	2-7/32	1-11/16	13/16	27/32	2-3/8	23/32	0.256	5/16-24UNF	6500	3850	0.86	1.89
208-25	1-9/16		80	56.3	42.8	21	21.4	60.3	18.3	6.5	M8x1.0	28890	17110	0.82	1.80
HC 209			45												0.85
209-26	1-5/8	45	3-11/32	2-7/32	1-11/16	7/8	27/32	2-1/2	23/32	0.256	5/16-24UNF	7350	4100	0.93	2.05
209-27	1-11/16		85	56.3	42.8	22	21.4	63.5	18.3	6.5	M8x1.0	32670	18225	0.90	1.98
209-28	1-3/4													0.85	1.87
HC 210			50												0.98
210-30	1-7/8	50	3-35/64	2-15/32	1-15/16	15/16	31/32	2-3/4	23/32	0.256	5/16-24UNF	7900	4690	1.07	2.35
210-31	1-15/16		90	62.7	49.2	24	24.6	69.9	18.3	6.5	M8x1.0	35120	20850	1.03	2.27
210-32	2S													0.95	2.09
HC 211			55												1.32
211-32	2	55	3-15/16	2-13/16	2-3/16	31/32	1-3/32	3	25/32	5/16	3/8-24UNF	9750	5850	1.49	3.28
211-34	2-1/8		100	71.4	55.4	25	27.7	76.2	20	8	M10x1.25	43340	26000	1.37	3.01
211-35	2-3/16													1.32	2.90
HC 212			60												1.87
212-36	2-1/4	60	4-11/32	3-1/16	2-7/16	1-1/16	1-7/32	3-5/16	7/8	5/16	3/8-24UNF	11500	8100	1.99	4.38
212-38	2-3/8		110	77.7	61.8	27	30.9	84	22.3	8	M10x1.25	51120	36000	1.84	4.05
212-39	2-7/16													1.76	3.87
HC 213			65												2.48
213-40	2-1/2	65	4-23/32	3-3/8	2-11/16	1-3/32	1-11/32	3-25/64	59/64	0.335	3/8-24UNF	12800	8900	2.49	5.48
			120	85.7	68.2	28	34.1	86	23.5	8.5	M10x1.25	56900	39560		
HC 214			70												2.47
214-43	2-11/16	70	4-29/32	3-3/8	2-11/16	1-3/16	1-11/32	3-13/16	59/64	0.335	3/8-24UNF	14000	9900	2.70	5.94
214-44	2-3/4		125	85.7	68.2	30	34.1	96.8	23.5	8.5	M10x1.25	62230	44010	2.35	5.17
HC 215			75												2.68
215-47	2-15/16	75	5-1/8	3-5/8	2-15/16	1-3/16	1-15/32	4-1/64	59/64	0.335	3/8-24UNF	14900	11000	2.67	5.87
215-48	3		130	92.1	74.6	30	37.3	102	23.5	8.5	M10x1.25	66230	48900	2.55	5.61