

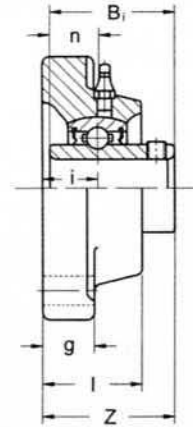
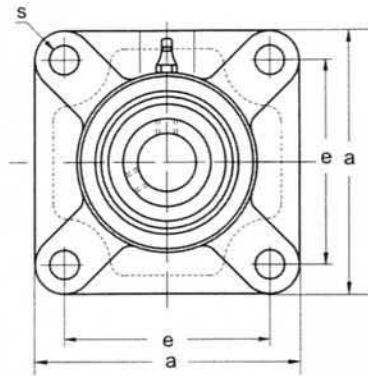
BEARING UNITS



FOUR BOLT FLANGE UNITS

UCF200 Series

Normal Duty
Set Screw Locking



| Unit No. | Shaft Dia. | | Dimensions inch / mm | | | | | | | | Bolt Size | Bearing No. | Housing No. | Weight Lbs kg | |
|-----------|------------|----|----------------------|----------------|---------------|-------------|---------------|-------------|-----------------|---------------|---------------|-------------|-------------|---------------------|--------------|
| | In. | mm | a | e | i | g | l | s | z | Bi | | | | | n |
| UCF 201-8 | 1/2 | | 3-25/64 86 | 2-1/2 63.5 | 19/32 15 | 7/16 11 | 1 25.4 | 15/32 12 | 1.5/16 33.3 | 1.220 31 | 0.500 12.7 | 3/8 M10 | UC 201-8 | F204 | 1.54 0.7 |
| 202-10 | 5/8 | | | | | | | | | | | | 202-10 | | |
| 204-12 | 3/4 | | | | | | | | | | | | 204-12 | | |
| 204 | | 20 | | | | | | | | | | | 204 | | |
| UCF 205 | | 25 | 3-3/4 95 | 2-3/4 70 | 5/8 16 | 1/2 13 | 1-1/16 27 | 15/32 12 | 1-13/32 35.7 | 1.339 34 | 0.563 14.3 | 3/8 M10 | UC 205 | F205 | 1.76 0.8 |
| 205-14 | 7/8 | | | | | | | | | | | | 205-14 | | |
| 205-15 | 15/16 | | | | | | | | | | | | 205-15 | | |
| 205-16 | 1 | | | | | | | | | | | | 205-16 | | |
| UCF 206 | | 30 | 4-1/4 108 | 3-9/32 83 | 23/32 18 | 1/2 13 | 1-1/4 31 | 15/32 12 | 1-37/64 40.2 | 1.500 38.1 | 0.626 15.9 | 3/8 M10 | UC 206 | F206 | 2.20 1.0 |
| 206-17 | 1-1/16 | | | | | | | | | | | | 206-17 | | |
| 206-18 | 1-1/8 | | | | | | | | | | | | 206-18 | | |
| 206-19 | 1-3/16 | | | | | | | | | | | | 206-19 | | |
| 206-20 | 1-1/4S | | | | | | | | | | | | 206-20 | | |
| UCF 207 | | 35 | 4-19/32 117 | 3-5/8 92 | 3/4 19 | 19/32 15 | 1-11/32 34 | 9/16 14 | 1-3/4 44.4 | 1.689 42.9 | 0.689 17.5 | 7/16 M12 | UC 207 | F207 | 3.08 1.4 |
| 207-20 | 1-1/4 | | | | | | | | | | | | 207-20 | | |
| 207-21 | 1-5/16 | | | | | | | | | | | | 207-21 | | |
| 207-22 | 1-3/8 | | | | | | | | | | | | 207-22 | | |
| 207-23 | 1-7/16 | | | | | | | | | | | | 207-23 | | |
| UCF 208 | | 40 | 5-1/8 130 | 4-1/64 102 | 13/16 21 | 19/32 15 | 1-13/32 36 | 5/8 16 | 2-1/64 51.2 | 1.937 49.2 | 0.748 19 | 1/2 M14 | UC 208 | F208 | 3.96 1.8 |
| 208-24 | 1-1/2 | | | | | | | | | | | | 208-24 | | |
| 208-25 | 1-9/16 | | | | | | | | | | | | 208-25 | | |
| UCF 209 | | 45 | 5-25/64 137 | 4-1/8 105 | 7/8 22 | 5/8 16 | 1-1/2 38 | 5/8 16 | 2-1/16 52.2 | 1.937 49.2 | 0.748 19 | 1/2 M14 | UC 209 | F209 | 4.84 2.2 |
| 209-26 | 1-5/8 | | | | | | | | | | | | 209-26 | | |
| 209-27 | 1-11/16 | | | | | | | | | | | | 209-27 | | |
| 209-28 | 1-3/4 | | | | | | | | | | | | 209-28 | | |
| UCF 210 | | 50 | 5-5/8 143 | 4-3/8 111 | 7/8 22 | 5/8 16 | 1-9/16 40 | 5/8 16 | 2-5/32 54.6 | 2.031 51.6 | 0.748 19 | 1/2 M14 | UC 210 | F210 | 5.28 2.4 |
| 210-30 | 1-7/8 | | | | | | | | | | | | 210-30 | | |
| 210-31 | 1-15/16 | | | | | | | | | | | | 210-31 | | |
| 210-32 | 2S | | | | | | | | | | | | 210-32 | | |
| UCF 211 | | 55 | 6-3/8 162 | 5-1/8 130 | 31/32 25 | 23/32 18 | 1-11/16 43 | 3/4 19 | 2-9/32 58.4 | 2.187 55.6 | 0.874 22.2 | 5/8 M16 | UC 211 | F211 | 7.92 3.6 |
| 211-32 | 2 | | | | | | | | | | | | 211-32 | | |
| 211-34 | 2-1/8 | | | | | | | | | | | | 211-34 | | |
| 211-35 | 2-3/16 | | | | | | | | | | | | 211-35 | | |
| UCF 212 | | 60 | 6-7/8 175 | 5-5/8 143 | 1-3/16 29 | 23/32 18 | 1-7/8 48 | 3/4 19 | 2-45/64 68.7 | 2.563 65.1 | 1.000 25.4 | 5/8 M16 | UC 212 | F212 | 9.68 4.4 |
| 212-36 | 2-1/4 | | | | | | | | | | | | 212-36 | | |
| 212-38 | 2-3/8 | | | | | | | | | | | | 212-38 | | |
| 212-39 | 2-7/16 | | | | | | | | | | | | 212-39 | | |
| UCF 213 | | 65 | 7-3/8 187 | 5-55/64 149 | 1-3/16 30 | 7/8 22 | 1-31/32 50 | 3/4 19 | 2-3/4 69.7 | 2.563 65.1 | 1.000 25.4 | 5/8 M16 | UC 213 | F213 | 12.10 5.5 |
| 213-40 | 2-1/2 | | | | | | | | | | | | 213-40 | | |
| UCF 214 | | 70 | 7-19/32 193 | 5-31/32 152 | 1-1/4 31 | 7/8 22 | 2-1/8 54 | 3/4 19 | 2-31/32 75.4 | 2.937 74.6 | 1.189 30.2 | 5/8 M16 | UC 214 | F214 | 13.42 6.1 |
| 214-43 | 2-11/16 | | | | | | | | | | | | 214-43 | | |
| 214-44 | 2-3/4 | | | | | | | | | | | | 214-44 | | |
| UCF 215 | | 75 | 7-7/8 200 | 6-1/4 159 | 1-11/32 34 | 7/8 22 | 2-7/32 56 | 3/4 19 | 3-3/32 78.5 | 3.063 77.8 | 1.311 33.3 | 5/8 M16 | UC 215 | F215 | 15.18 6.9 |
| 215-47 | 2-15/16 | | | | | | | | | | | | 215-47 | | |
| 215-48 | 3 | | | | | | | | | | | | 215-48 | | |



BEARING
UNITS