

# BEARING UNITS

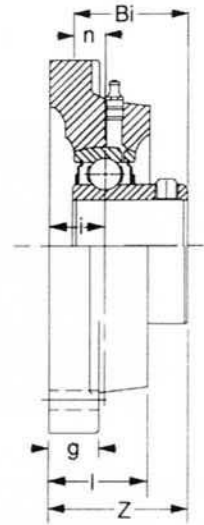
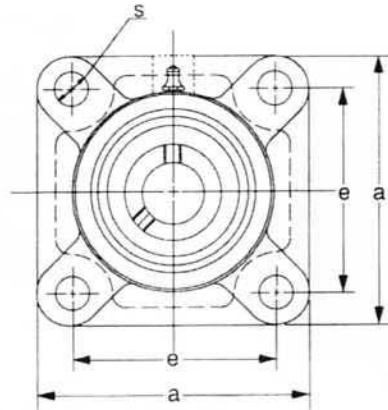


## FOUR BOLT FLANGE UNITS

### SBF 200 Series

Light Duty

Set Screw Locking



BEARING  
UNITS

Unit No.	Shaft Dia.		Dimensions inch / mm								Bolt Size	Bearing No.	Housing No.	Weight Lbs kg	
	In.	mm	a	e	i	g	l	s	z	Bi					n
SBF 201-8 202-10	1/2 5/8		2-63/64 76	2-1/8 53.9	3/8 9.5	7/16 11	45/64 17.9	13/32 10	31/32 25	0.866 22	0.236 6	3/8 M10	SB 201-8 202-10	F203	0.97 0.44
SBF 204 204-12	3/4	20	3-25/64 86	2-1/2 63.5	19/32 15	7/16 11	1 25.4	15/32 12	1-19/64 32.9	0.984 25	0.276 7	3/8 M10	SB 204 204-12	F204	1.34 0.61
SBF 205 205-14 205-15 205-16	7/8 15/16 1	25	3-3/4 95	2-3/4 70	5/8 16	1/2 13	1-1/16 27	15/32 12	1-13/32 35.3	1.063 27	0.295 7.5	3/8 M10	SB 205 205-14 205-15 205-16	F205	1.87 0.85
SBF 206 206-17 206-18 206-19 206-20	1-1/16 1-1/8 1-3/16 1-1/45	30	4-1/4 108	3-9/32 83	23/32 18	1/2 13	1-1/4 31	15/32 12	1-9/16 40	1.181 30	0.315 8	3/8 M10	SB 206 206-17 206-18 206-19 206-20	F206	2.64 1.20
SBF 207 207-20 207-21 207-22 207-23	1-1/4 1-5/16 1-3/8 1-7/16	35	4-19/32 117	3-5/8 92	3/4 19	19/32 15	1-11/32 34	9/16 14	1-43/64 42.5	1.260 32	0.335 8.5	1/2 M12	SB 207 207-20 207-21 207-22 207-23	F207	3.74 1.70
SBF 208 208-24 208-25	1-1/2 1-9/16	40	5-1/8 130	4-1/64 102	13/16 21	19/32 15	1-13/32 36	5/8 16	1-3/4 44.1	1.339 34	0.354 9	1/2 M12	SB 208 208-24 208-25	F208	4.84 2.20