

BEARING UNITS

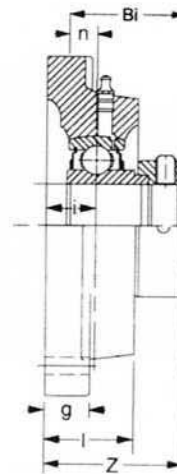
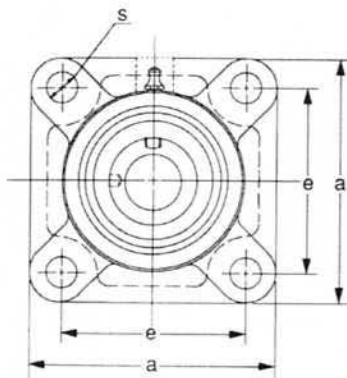


FOUR BOLT FLANGE UNITS

SAF 200 Series

Light Duty

Eccentric Collar Locking



BEARING
UNITS

Unit No.	Shaft Dia.		Dimensions inch / mm								Bolt Size	Bearing No.	Housing No.	Weight Lbs kg	
	In.	mm	a	e	i	g	l	s	z	Bi					n
SAF 201-8	1/2		2-63/64	2-1/8	3/8	7/16	23/32	13/32	1-17/64	1.125	0.236	3/8	SA 201-8		1.14
202-10	5/8		76	54	9.5	11	18	10	32.1	28.6	6	202-10	F203	0.52	
SAF 204		20	3-25/64	2-1/2	19/32	7/16	1	15/32	1-33/64	1.220	0.276	3/8	SA 204		1.43
204-12	3/4		86	63.5	15	11	25.4	12	38.5	31	7	204-12	F204	0.65	
SAF 205		25	3-3/4	2-3/4	5/8	1/2	1-1/16	15/32	1-35/64	1.220	0.295	3/8	SA 205		1.98
205-14	7/8		95	70	16	13	27	12	39.3	31	7.5	205-14	F205	0.90	
205-15	15/16											205-15			
205-16	1											205-16			
SAF 206		30	4-1/4	3-9/32	23/32	1/2	1-1/4	15/32	1-49/64	1.406	0.315	3/8	SA 206		2.75
206-17	1-1/16		108	83	18	13	31	12	44.8	35.7	8	206-17	F206	1.25	
206-18	1-1/8											206-18			
206-19	1-3/16											206-19			
206-20	1-1/4S											206-20			
SAF 207		35	4-19/32	3-5/8	3/4	19/32	1-11/32	9/16	1-29/32	1.531	0.335	7/16	SA 207		3.74
207-20	1-1/4		117	92	19	15	34	14	48.4	38.9	8.5	207-20	F207	1.70	
207-21	1-5/16											207-21			
207-22	1-3/8											207-22			
207-23	1-7/16											207-23			
SAF 208		40	5-1/8	4-1/64	13/16	19/32	1-13/32	5/8	2-7/64	1.720	0.354	1/2	SA 208		4.84
208-24	1-1/2		130	102	21	15	36	16	53.6	43.7	9	208-24	F208	2.20	
208-25	1-9/16											208-25			
SAF 209		45	5-13/32	4-1/8	7/8	5/8	1-1/2	5/8	2-5/32	1.720	0.374	1/2	SA 209		5.50
209-26	1-5/8		137.3	105	22	16	38	16	54.8	43.7	9.5	209-26	F209	2.50	
209-27	1-11/16											209-27			
209-28	1-3/4											209-28			
SAF 210		50	5-5/8	4-3/8	7/8	5/8	1-9/16	5/8	2-5/32	1.720	0.394	1/2	SA 210		6.16
210-30	1-7/8		142.9	111	22	16	40	16	54.8	43.7	10	210-30	F210	2.80	
210-31	1-15/16											210-31			
210-32	2S											210-32			