

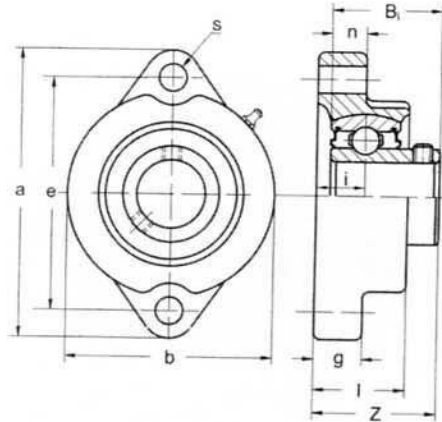
BEARING UNITS



TWO BOLT FLANGE UNITS

SBLF 200 Series

Light Duty
Set Screw Locking
Round Bolt Holes



BEARING
UNITS

Unit No.	Shaft Dia.		Dimensions inch / mm									Bolt Size	Bearing No.	Housing No.	Weight Lbs kg	
	In.	mm	a	e	i	g	l	s	b	z	Bi					n
SBLF 201-8 202-10	1/2 5/8		3-3/16 81	2-1/2 63.5	3/8 9.5	3/8 9.5	23/32 18	5/16 8	2-7/32 56	1 25.4	0.866 22	0.236 6	1/4 M6	SB 201-8 202-10	LF203	0.59 0.27
SBLF 204 204-12	3/4	20	3-35/64 90	2-13/16 71.4	7/16 11	7/16 11	25/32 20	13/32 10	2-13/32 61	1-3/16 29	0.984 25	0.276 7	5/16 M8	SB 204 204-12	LF204	0.66 0.30
SBLF 205 205-14 205-15 205-16	7/8 15/16 1	25	3-3/4 95	2-63/64 76.0	7/16 11	7/16 11	25/32 20	13/32 10	2-33/64 64	1-1/4 31	1.063 27	0.295 7.5	5/16 M8	SB 205 205-14 205-15 205-16	LF205	0.86 0.39
SBLF 206 206-17 206-18 206-19 206-20	1-1/16 1-1/8 1-3/16 1-1/4S	30	4-7/16 113	3-9/16 90.5	15/32 12	15/32 12	7/8 22	15/32 12	2-63/64 76	1-11/32 34	1.181 30	0.315 8	3/8 M10	SB 206 206-17 206-18 206-19 206-20	LF206	1.25 0.57
SBLF 207 207-20 207-21 207-22 207-23	1-1/4 1-15/16 1-3/8 1-7/16	35	4-13/16 122	3-15/16 100	1/2 13	1/2 13	15/16 24	15/32 12	3-1/2 89	1-13/32 36	1.260 32	0.335 8.5	3/8 M10	SB 207 207-20 207-21 207-22 207-23	LF207	1.69 0.77