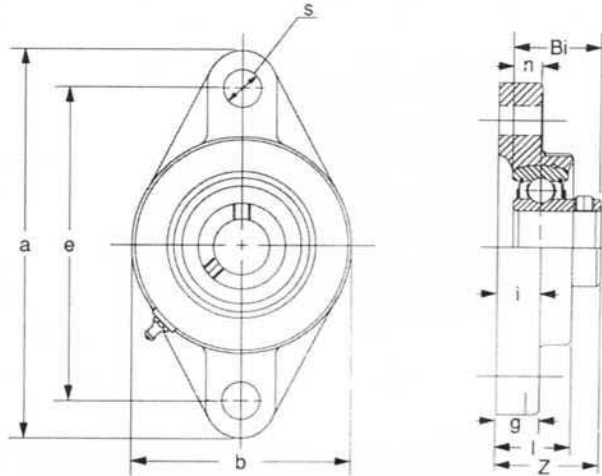


# BEARING UNITS



## TWO BOLT FLANGE UNITS SBFL 200 Series Light Duty Set Screw Locking



BEARING UNITS

Unit No.	Shaft Dia.		Dimensions inch / mm										Bolt Size	Bearing No.	Housing No.	Weight Lbs kg
	In.	mm	a	e	i	g	l	s	b	z	Bi	n				
SBFL 201-8 202-10	1/2 5/8		3-57/64 99	2-63/64 76	1/2 13	13/32 10	7/8 22	15/32 12	2-1/8 54	1-3/16 29	0.866 22	0.236 6.0	3/8 M10	SB 201-8 202-10	FL203	0.84 0.38
SBFL 204 204-12	3/4	20	4-7/16 113	3-35/64 90	19/32 15	7/16 11	1 25.5	15/32 12	2-3/8 60	1-19/64 33	0.984 25	0.276 7.0	3/8 M10	SB 204 204-12	FL204	0.88 0.40
SBFL 205 205-14 205-15 205-16	7/8 15/16 1	25	5-1/8 130	3-57/64 99	5/8 16	1/2 13	1-1/16 27	5/8 16	2-11/16 68	1-13/32 35.5	1.063 27	0.295 7.5	1/2 M14	SB 205 205-14 205-15 205-16	FL205	1.10 0.5
SBFL 206 206-17 206-18 206-19 206-20	1-1/16 1-1/8 1-3/16 1-1/4S	30	5-13/16 148	4-19/32 117	23/32 18	1/2 13	1-1/4 31	5/8 16	3-5/32 80	1-9/16 40.0	1.181 30	0.315 8.0	1/2 M14	SB 206 206-17 206-18 206-19 206-20	FL206	1.76 0.8
SBFL 207 207-20 207-21 207-22 207-23	1-1/4 1-5/16 1-3/8 1-7/16	35	6-11/32 161	5-1/8 130	3/4 19	19/32 15	1-11/32 34	5/8 16	3-35/64 90	1-43/64 42.5	1.260 32	0.335 8.5	1/2 M14	SB 207 207-20 207-21 207-22 207-23	FL207	2.60 1.18
SBFL 208 208-24 208-25	1-1/2 1-9/16	40	6-7/8 175	5-11/16 144	13/16 21	19/32 15	1-13/32 36	5/8 16	3-15/16 100	1-13/16 46	1.339 34	0.354 9.0	1/2 M14	SB 208 208-24 208-25	FL208	3.39 1.54